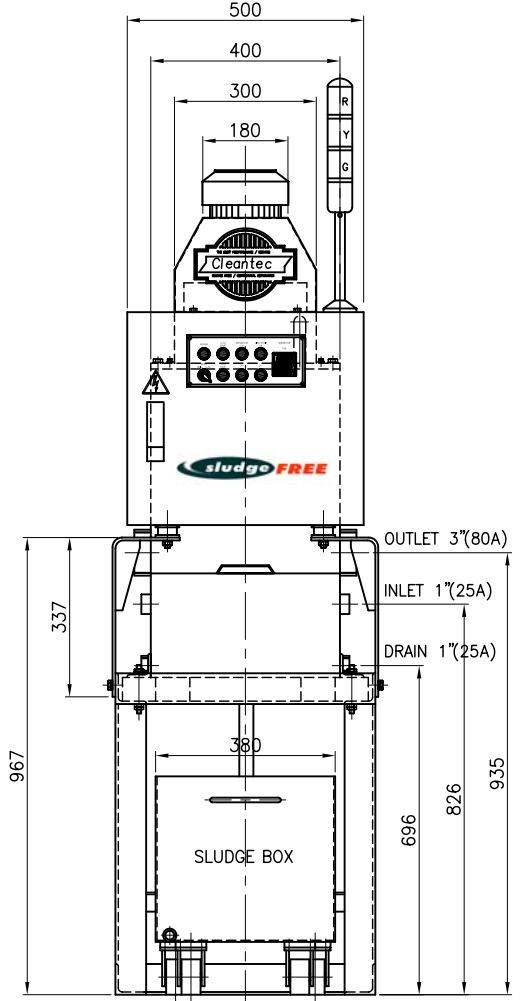
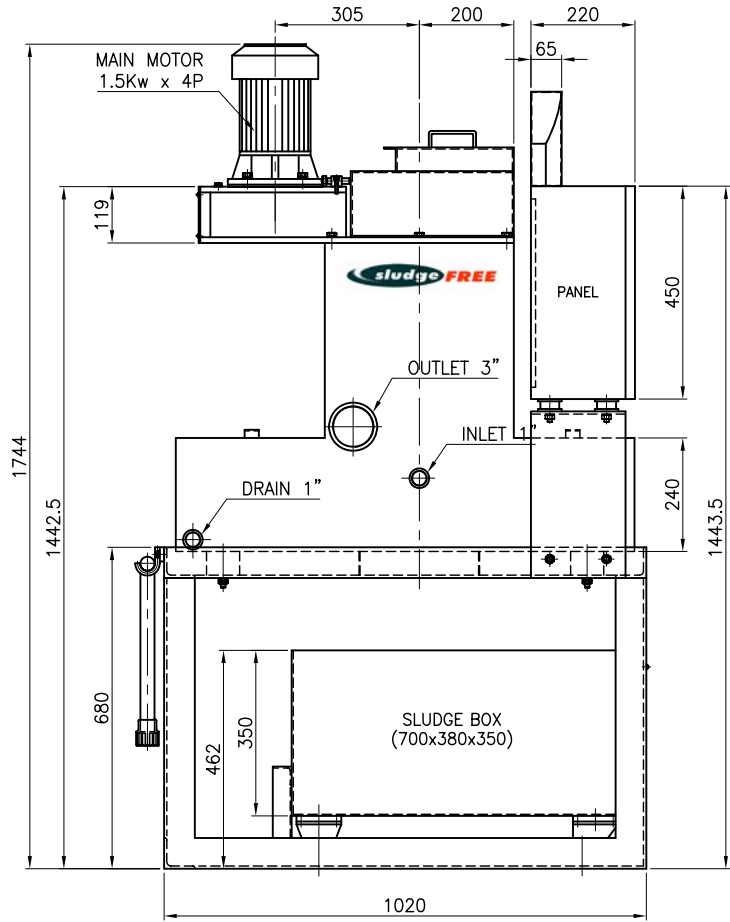
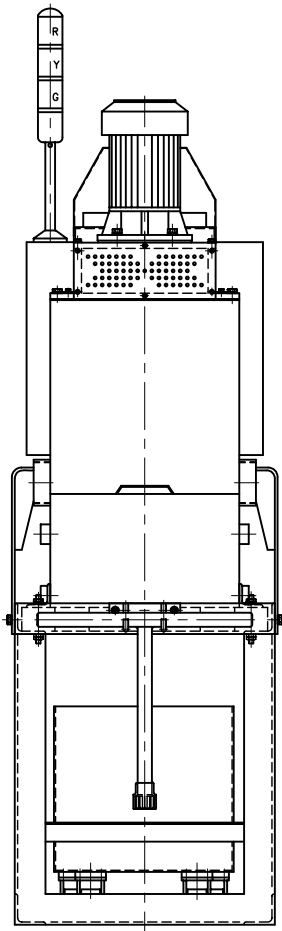
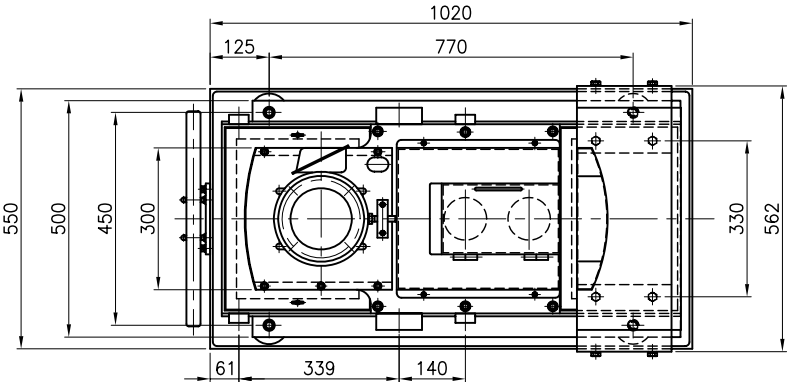


MODEL	SF-50S
Process Capacity	50 L/min



Q'TY	NO.	PART NO.	NAME	MAT'L	SIZE	WT.(kg)	REMARKS
▲			NOTE	STANDARD			
▲			APPD		TITLE	CENTRIFUGAL SEPARATOR	
▲			CHKD		SLUDGE FREE SF-05S		
▲			DESD		ASSY(하부배출 TYPE 외형도)		
▲			DRAW	06.06.01	B.S.LEE		
▲					DWG. NO.	SF05S000	REG.
▲					AUX. NO.		
NO.	REV.	DATE	SIGN				

SCALE 1/8