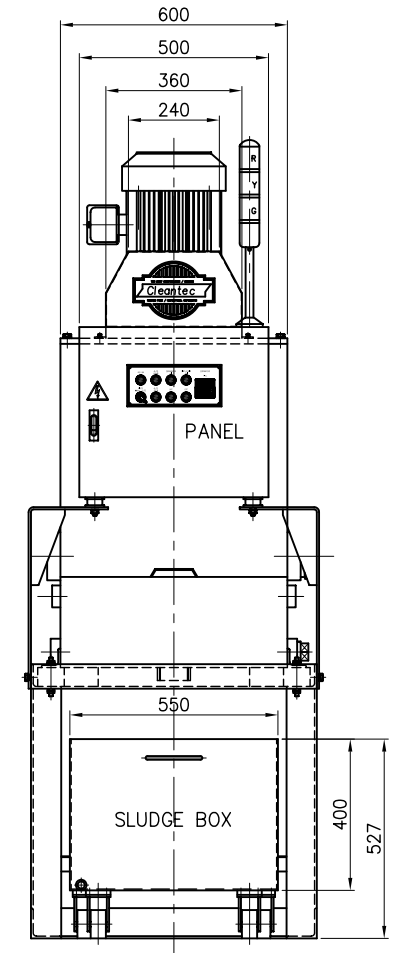
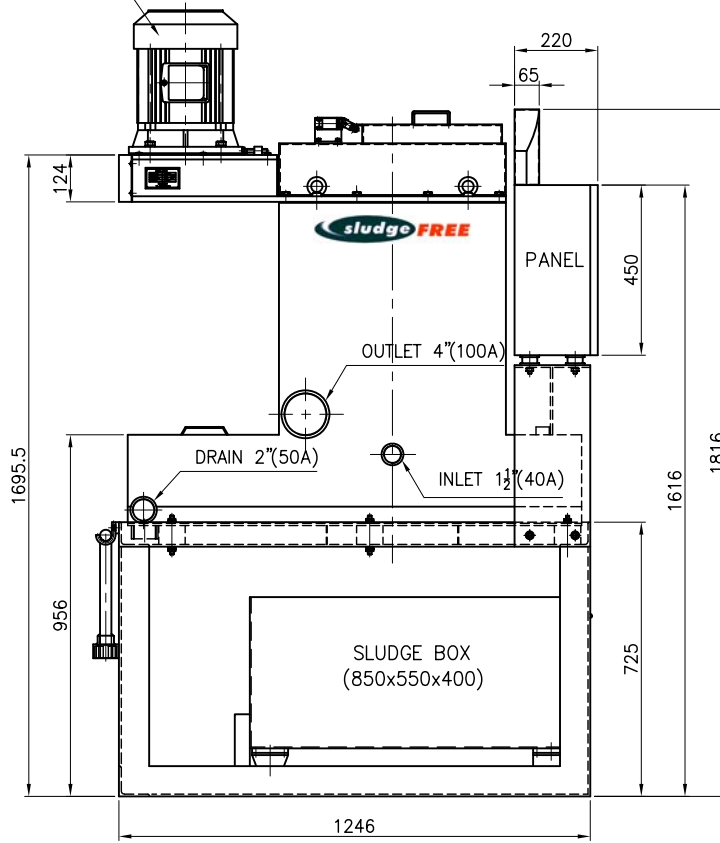
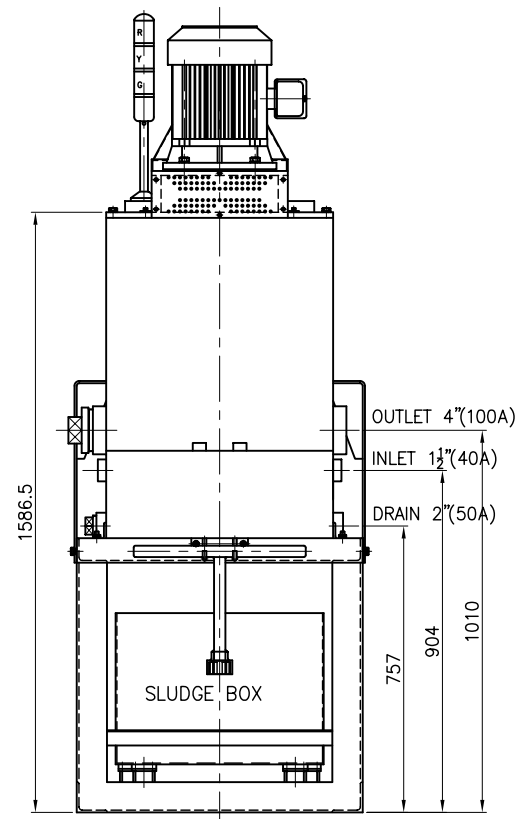


MAIN MOTOR
5.5Kw x 4P



Q'TY	NO.	PART NO.	NAME	MAT'L	SIZE	WT.(Kg)	REMARKS
▲			NOTE	STANDARD			
▲			APPD		TITLE	CENTRIFUGAL SEPARATOR	SCALE
▲			CHKD		SLUDGE FREE SF-200S		1 / 10
▲			DESD		ASS'Y(하부내출 TYPE)		
▲			DRAW/06.05.25	B.S.LEE	DWG. NO.	SF20S000	REG.
▲					AUX. NO.		
▲							
▲							
▲							
▲							
▲							
▲							
▲							

