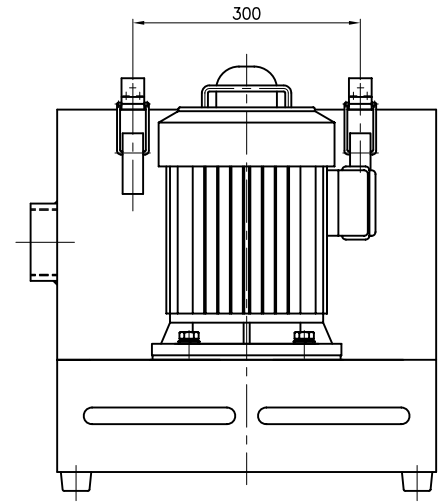
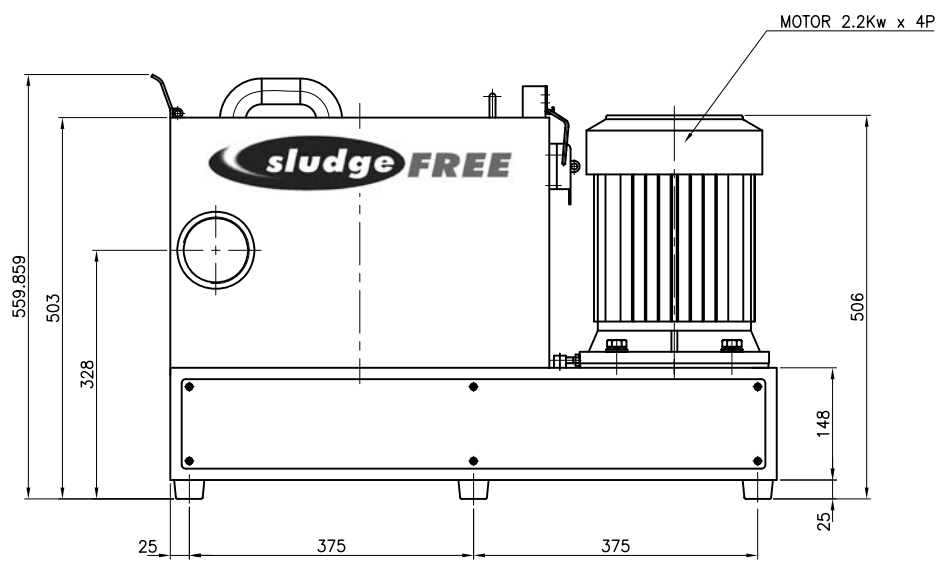


MODEL	SF-100N
Process Capacity	100 L/min



Q'TY	NO.	PART NO.	NAME	MAT'L	SIZE	WT.(Kg)	REMARKS
▲			NOTE				STANDARD
▲			APPD				TITLE CENTRIFUGAL SEPARATOR
▲			CHKD				SLUDGE FREE SF-100N
▲			DESD				ASS'Y(외형도)
▲			DRAW(07.04.09) B.S.LEE				
▲							DWG. NO. SF10N000
▲							AUX. NO.
▲							SCALE 1/5
▲							REG.

