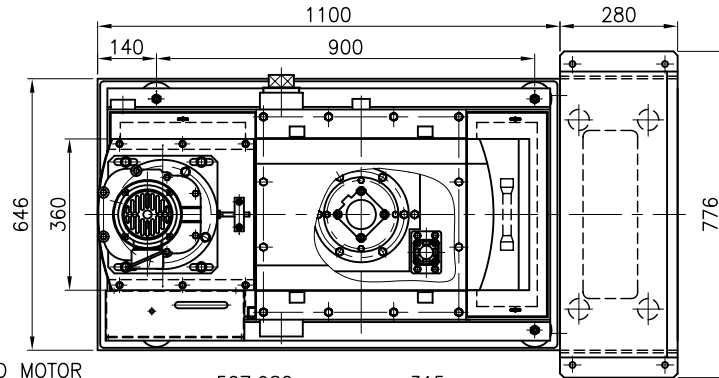
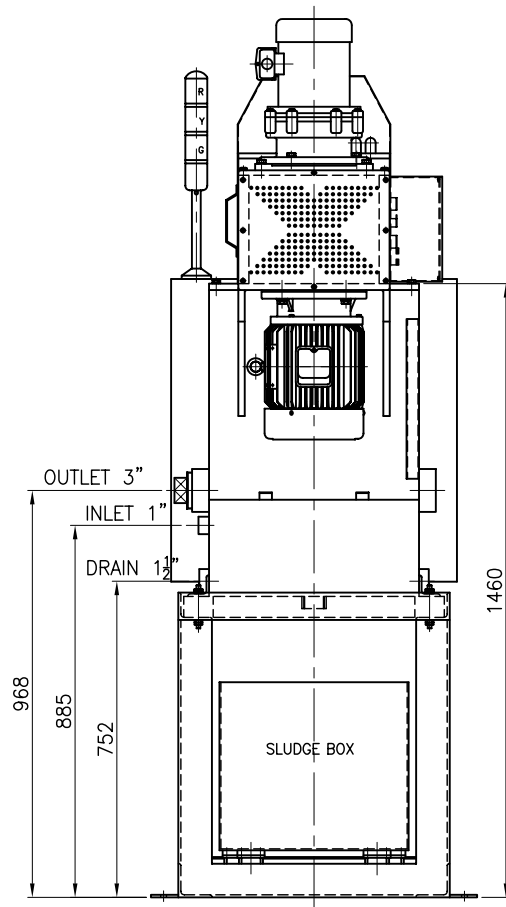
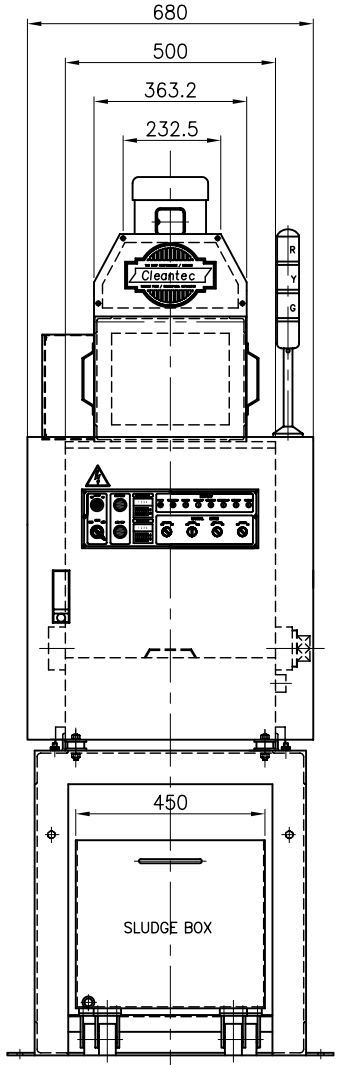
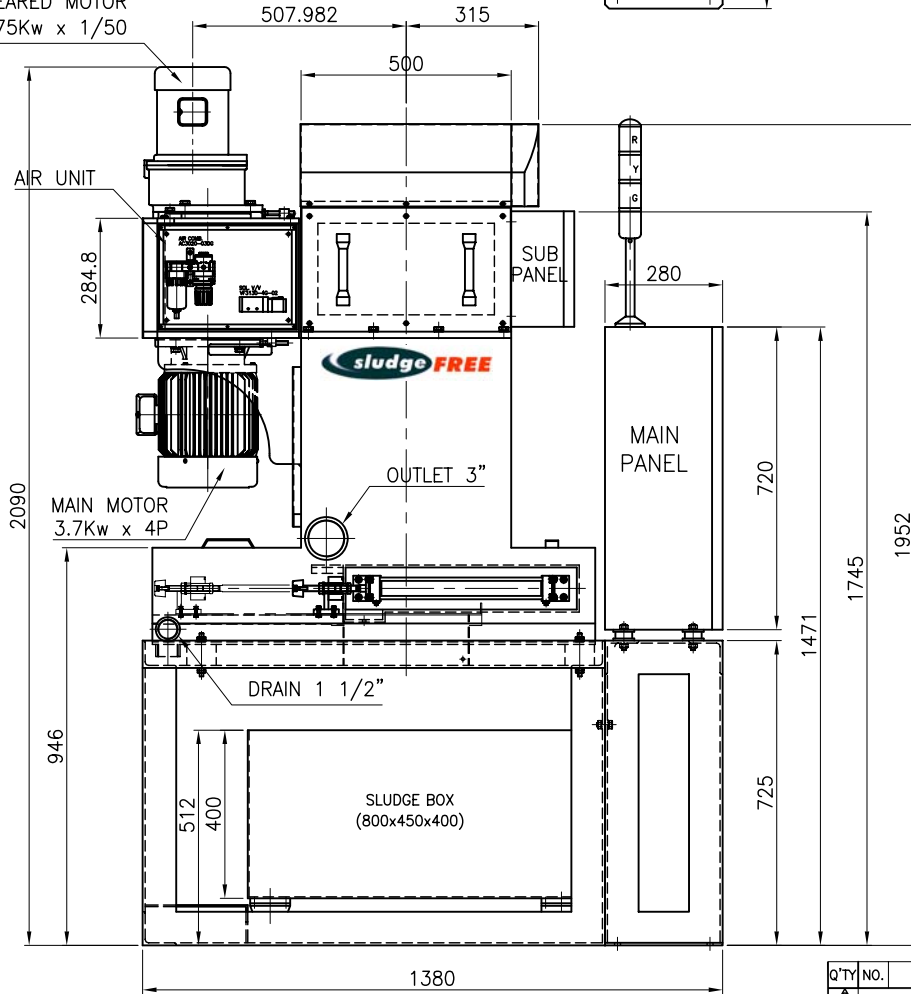


MODEL	SF-100A
Process Capacity	100 L/min



GEARED MOTOR
0.75Kw x 1/50



Q'TY	NO.	PART NO.	NAME	MAT'L	SIZE	WT.(kg)	REMARKS
▲			NOTE	STANDARD			
▲			APPD		TITLE		CENTRIFUGAL SEPARATOR
▲			CHKD		TITLE		SLUDGE FREE SF-100A
▲			DESD		TITLE		ASS'Y(하부내측 TYPE)
▲			DRAW	08.07.22	B.S.LEE		
▲							
▲							
▲							
▲							
▲							
NO.	REV.	DATE	SIGN	CleanTec		DWG. NO.	SF10A000
						AUX. NO.	REG.